



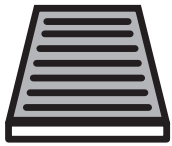
PROTECT

combined with active carbon



698744

FH506



CA

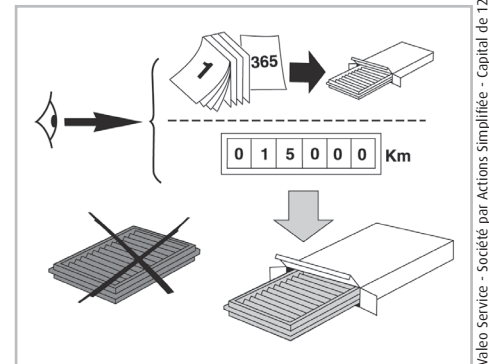
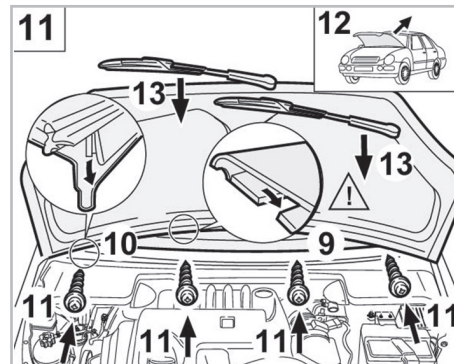
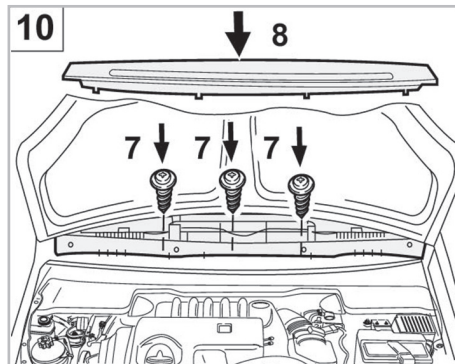
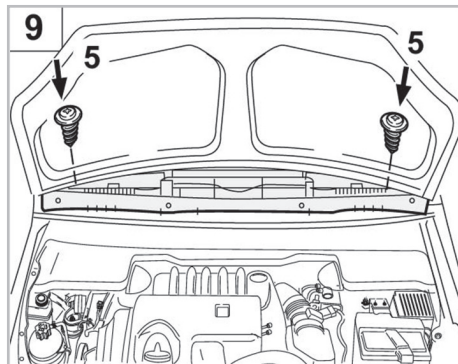
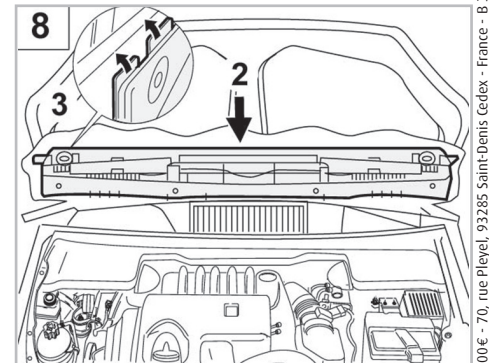
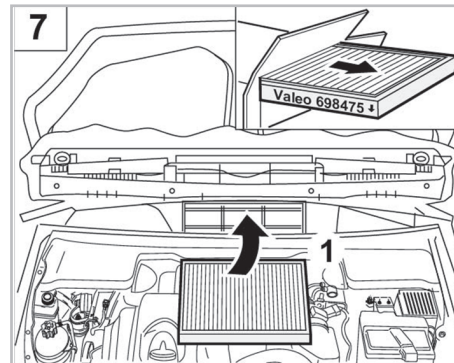
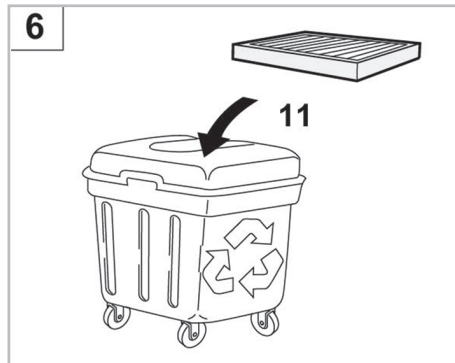
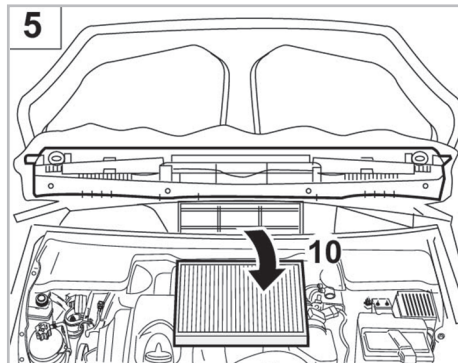
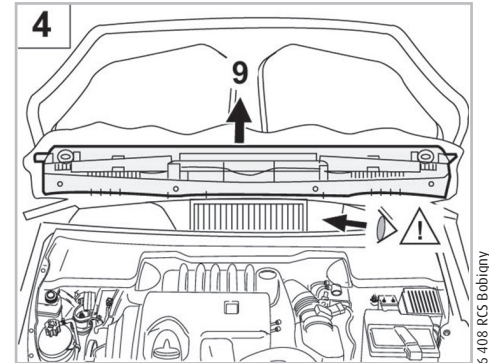
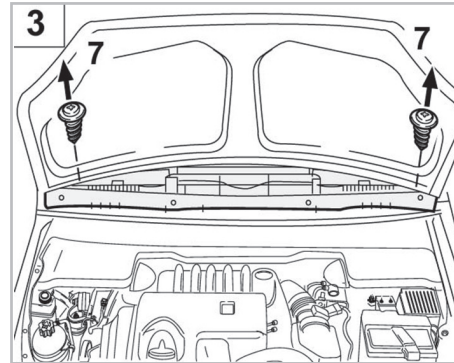
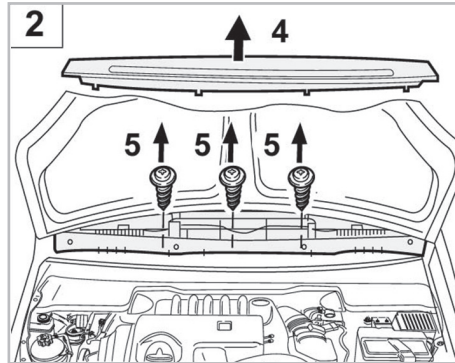
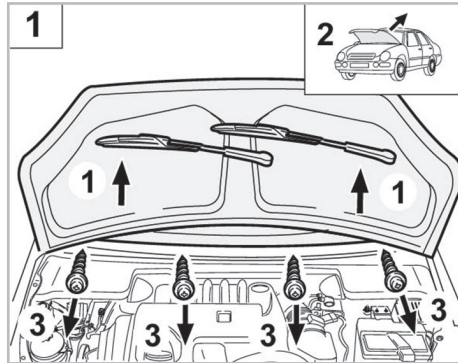
WANT TO KNOW MORE?



www.valeo-techassist.com

FOR
MERCEDES

VANEO A/C+/- (10/01 >)



Valeo Service - Société par Actions simplifiée - Capital de 12 900 000 € - 70, rue Playel, 93285 Saint-Denis Cedex - France - B 306 486 408 RCS Bobigny